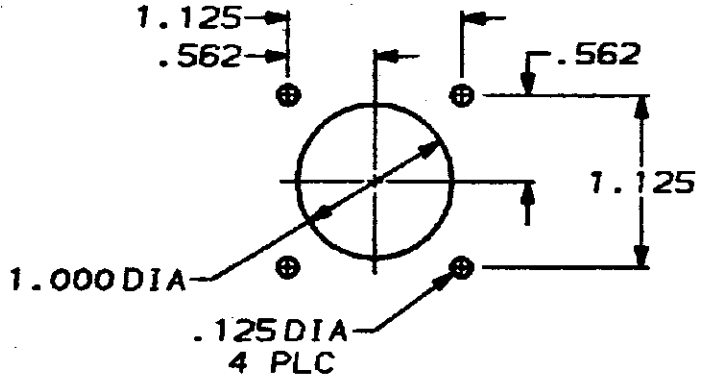
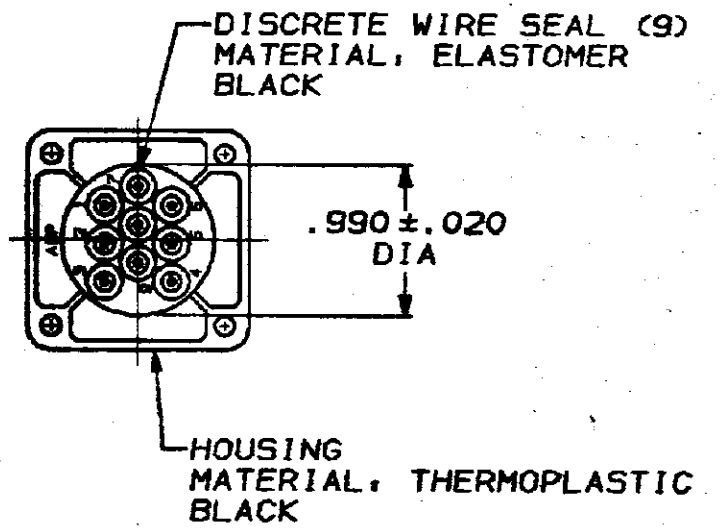
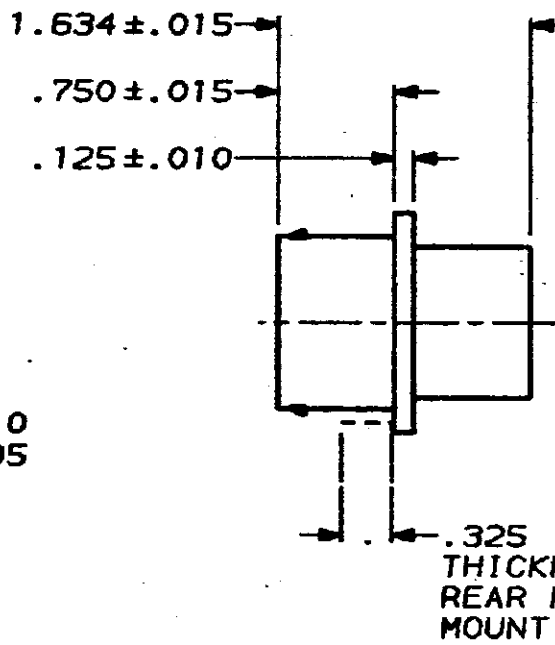
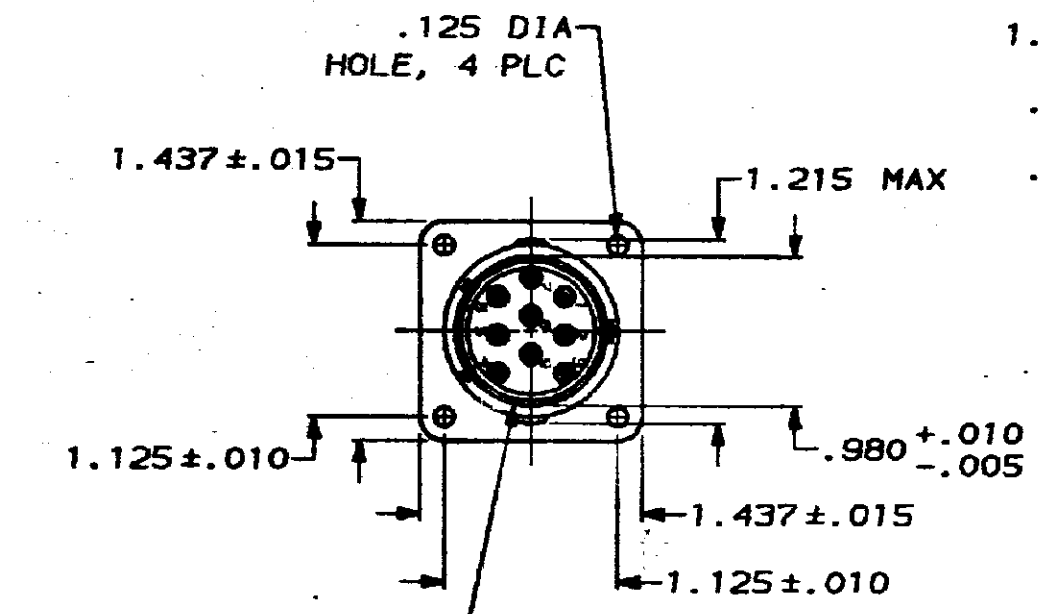


THIS DRAWING IS UNPUBLISHED. RELEASED FOR PUBLICATION  
 © COPYRIGHT 1981 BY AMP INCORPORATED. ALL INTERNATIONAL RIGHTS RESERVED.

MOD	LOC	Q137	REVISIONS				
			ZONE	LTR	DESCRIPTION	DATE	APPD
23	BD	39		D	REDRAWN AND REV PER ECN BD4183	8-10-80	KB
			V	E	REV PER ECN BD5258	08/13/91	KB



1. WIRE INSULATION SEALING RANGE .070-.115 DIA.
2. MATES WITH 208530-1.
3. TOTAL LENGTH OF MATED CONNECTORS IS LESS THAN 2.50 INCHES.
4. THIN MEMBRANE PERMISSIBLE ON SMALL DIAMETER OF WIRE SEALS.

RECOMMENDED  
 PANEL CUTOUT

208546-1  
 PART NUMBER

DO NOT SCALE PRINT. UNLESS SPECIFIED DIMENSIONS IN INCHES. TOLERANCES ON: 2 PLC DEC * - 3 PLC DEC * .005 ANGLES * - MATERIAL SEE CALLOUT FINISH	DR 8-10-80	AMP INCORPORATED Harrisburg, Pa. 17105	
	CHK 1-4-81	NAME ECONOSEAL, SQUARE FLANGE RECEPTACLE, SHELL SIZE 17, 9 POSN, PIN CONTACTS	
	J. ROCLINTON	SIZE B	PSCH NO 00779
	APPD 1-10-81	SCALE 1:1	DRAWING NO 208546
	E. BEAVER		SHEET 1 OF 1
	APPD 1-20-91		
	J. FILPONI		
	PRODUCT SPEC		
	APPLICATION SPEC		
	WEIGHT -		

CUSTOMER DRAWING